



Titan 3 Seater Lounge with Air Massage

ⓘ The components are heavy, assembly should be performed by two people.

If you have any difficulty with assembly or operation, please contact the store of purchase in the first instance.

Please read the below safety & electrical instructions before operating

Safety Instructions

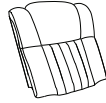

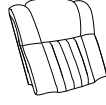
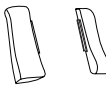
- This product is not intended for use by persons (including children) with reduced physical, sensory or mental capabilities, or lack of experience and knowledge, unless they have been given supervision or instruction concerning use of the product by a person responsible for their safety.
- Ensure there is no person, animal or item obstructing the area under the footrest before operating this product.
- Improper use or installation may result in the risk of fire, electric shock and/or injury. We assume no liability for any eventual damages caused by improper use or inappropriate handling, or by any other non-compliance with the instructions in this manual.
- Children should be supervised to ensure that they do not play with the product.
- This product contains moving parts. Keep fingers, hair and body parts well clear from moving parts. To reduce the risk of injury, keep children and pets clear of the product when in use.
- Do not sit or place additional weight on the arms, back or open footrest.
- This product is very heavy. Only move this product by lifting the main body. Never drag by the footrest, back or arm rest.
- Return this product to the full upright position to stand safely and prevent a tripping hazard.
- Do not operate this product if damage is visible in any form.
- Do not modify or use unauthorised substitute parts.
- This product has been designed and intended for indoor residential use only. It is not suitable for commercial or outdoor use.
- This product is not intended to be used as part of a health care plan. Consult your medical professional before operating if you are taking medication or have physical limitations.

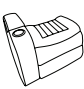

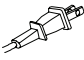
Electrical Instructions

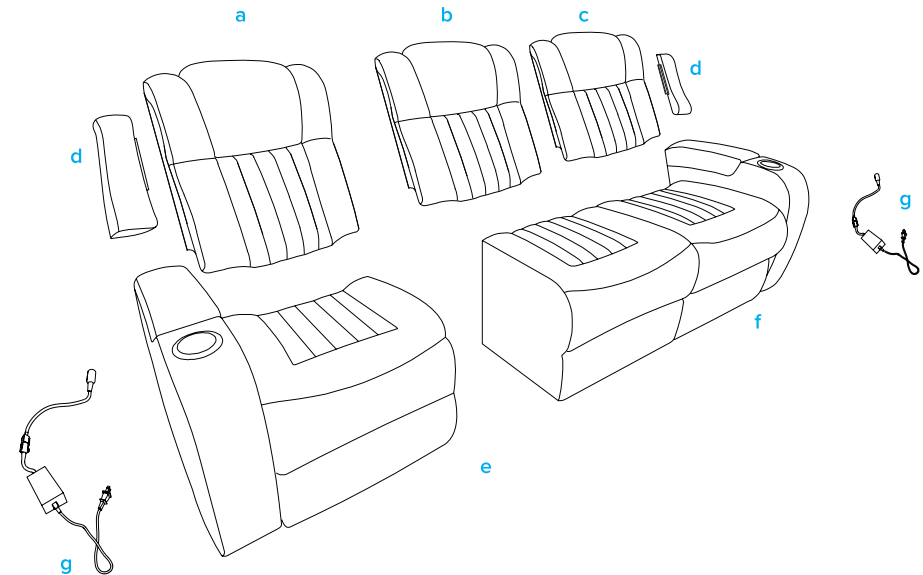
- Never force the back or footrest to close faster than the electric motor.
- Before commencing cleaning or maintenance, ensure this product is disconnected from the power outlet and the back is in the full upright position.
- Disconnect this product from the power outlet before moving.
- Cease operation and disconnect from the power outlet if you ever detect a burning odour or smoke coming from the product.
- Do not operate this product if liquid spillage occurs on or around it. Disconnect from the power outlet and allow product to completely dry before reconnecting.
- Do not operate the power functions or charge station with wet hands.
- Check the condition of the power cord, electrical cords, transformer, plug and connector on a monthly basis. Do not operate if wear is visible.
- Ensure the power cord, electrical cords and transformer are clear of moving parts and not trapped underneath the base.
- Position the power cord to minimise a tripping hazard.
- Never attempt to open or disassemble electrical components.
- We recommend the use of a surge protector (not included).

Synargy is a registered responsible supplier on ERAC. Electrical components within our products have been tested to comply with legal requirements imposed for electrical safety and EMC.

Included Components:

Part	Description	
a	left side back cushion	
b	center back cushion	
c	right side back cushion	
d	back rest wings (pair)	

Part	Description	
e	left side seat base	
f	right side seat base (right and center seats)	
g	power supply x2	

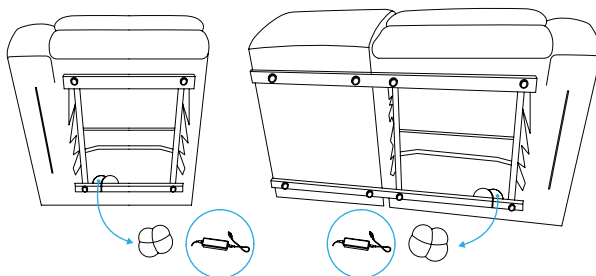


ASSEMBLY INSTRUCTIONS TITAN LOUNGE 3 SEATER

- ⓘ Make sure all plugs are connected on the product before plugging the power cords into a wall outlet - otherwise product damage may occur. The USB ports (where applicable) are designed with working voltage of 5V and can NOT be used to supply power for laptop computers (neither PC or Mac). Plugging a laptop computer to the USB port may end up damaging either the computer or the USB port due to unmatched working voltage.

Step 1

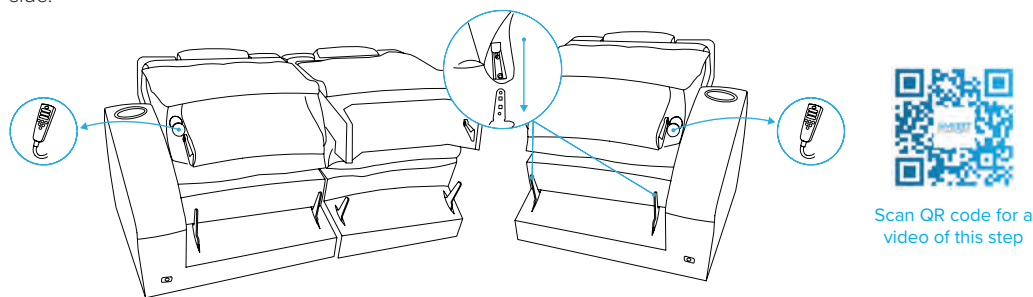
Remove all packaging and set aside in a safe location before disposal or recycling of applicable materials. On the underside of the sofa there are two packages containing the power supplies - cut the ties to remove the packaging and set the power supplies aside.



Step 2

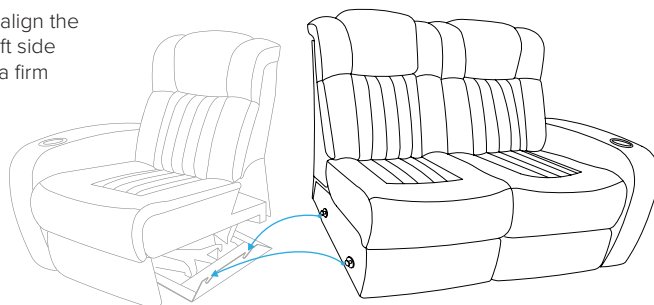
Identify the back rests for left hand side, center and right hand side - and place them facing down on the seat bases. The hand controller remote for each end seat is bundled into packaging attached to the seat backs. Remove packaging and set remotes aside carefully before proceeding.

Lift each back rest individually to align the metal receivers with the metal posts of the chair base. Allow the posts to slide into the receivers and press down firmly on the top of the backrest until a click is heard on each side.



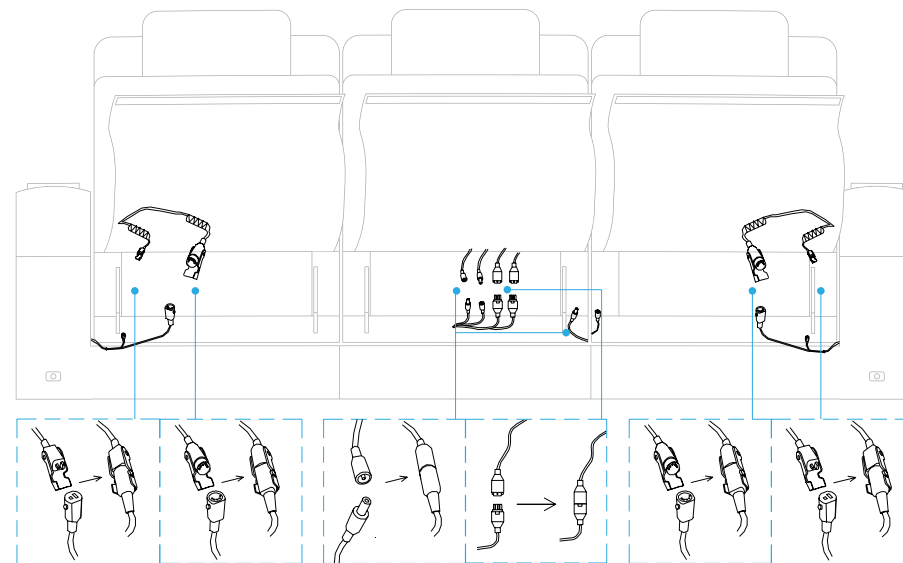
Step 3

Lift the right side seat base (item e) and align the locking tabs with the receivers on the left side seat base (item f), and press down until a firm connection is made.



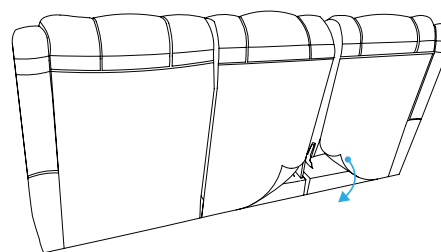
Step 4

Connect the electrical connections in the back of the lounge. The set of four cables behind the middle seat are colour labelled to demonstrate which connections need to be made.



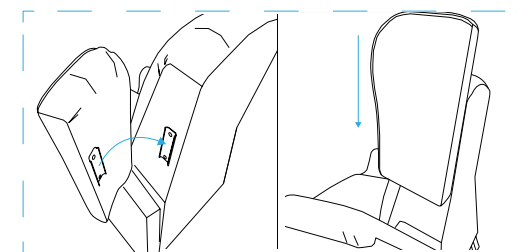
Step 5

Replace the fabric back covers and fasten with velcro on the underside of the seat base.



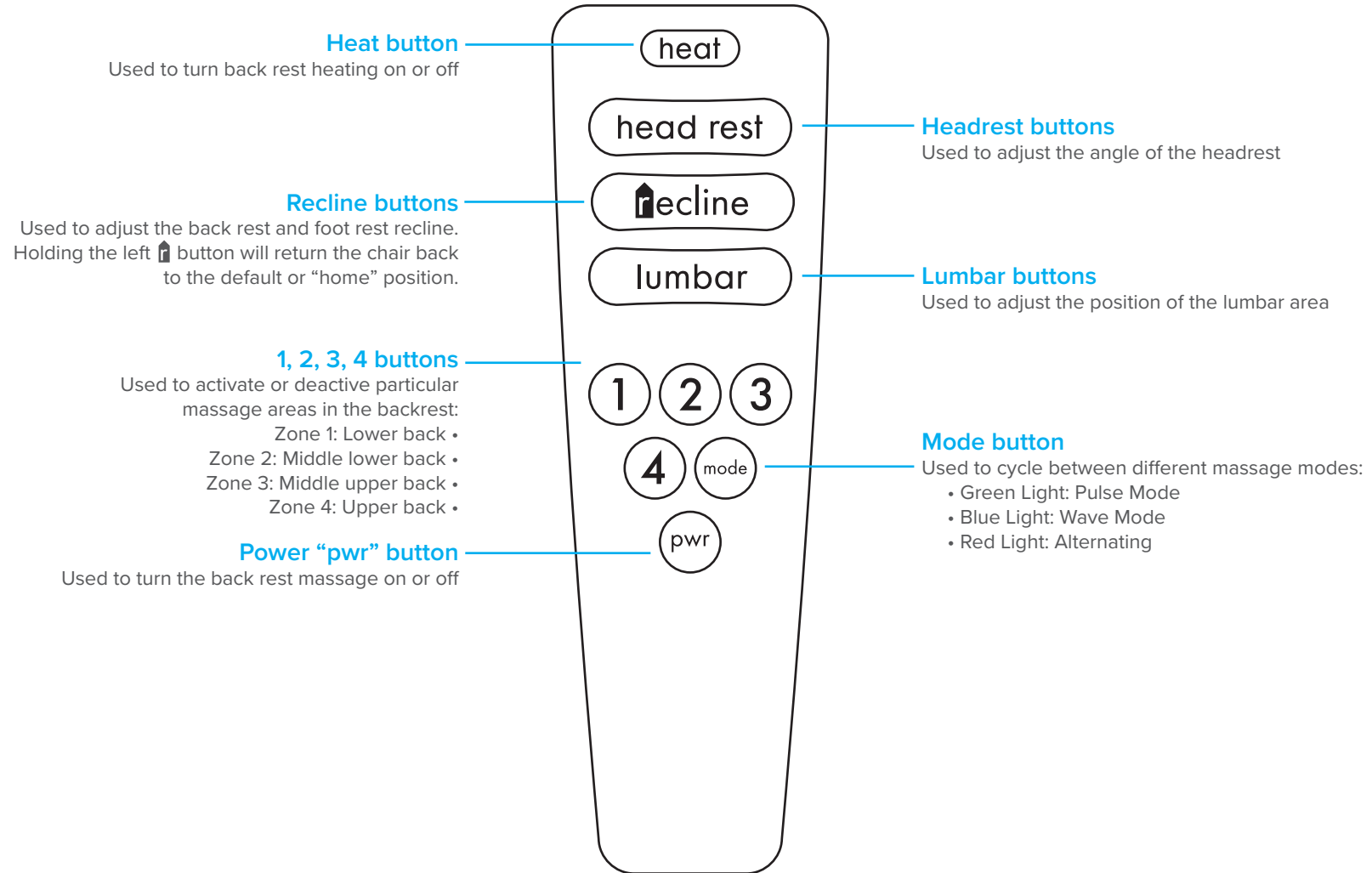
Step 6

Take the back rest wings (item d) and slide onto the sides of the left and right backrests using the interlocking brackets.



Step 6

Plug the power supplies into the outlets located at the bottom left and bottom right of the seat base, and plug into a wall outlet. Your suite assembly is now complete. Please ensure you have read the safety and electrical instructions before operating.





Titan 2 Seater Lounge with Air Massage

ⓘ The components are heavy, assembly should be performed by two people.

If you have any difficulty with assembly or operation, please contact the store of purchase in the first instance.

Please read the below safety & electrical instructions before operating

Safety Instructions

- This product is not intended for use by persons (including children) with reduced physical, sensory or mental capabilities, or lack of experience and knowledge, unless they have been given supervision or instruction concerning use of the product by a person responsible for their safety.
- Ensure there is no person, animal or item obstructing the area under the footrest before operating this product.
- Improper use or installation may result in the risk of fire, electric shock and/or injury. We assume no liability for any eventual damages caused by improper use or inappropriate handling, or by any other non-compliance with the instructions in this manual.
- Children should be supervised to ensure that they do not play with the product.
- This product contains moving parts. Keep fingers, hair and body parts well clear from moving parts. To reduce the risk of injury, keep children and pets clear of the product when in use.
- Do not sit or place additional weight on the arms, back or open footrest.
- This product is very heavy. Only move this product by lifting the main body. Never drag by the footrest, back or arm rest.
- Return this product to the full upright position to stand safely and prevent a tripping hazard.
- Do not operate this product if damage is visible in any form.
- Do not modify or use unauthorised substitute parts.
- This product has been designed and intended for indoor residential use only. It is not suitable for commercial or outdoor use.
- This product is not intended to be used as part of a health care plan. Consult your medical professional before operating if you are taking medication or have physical limitations.

Electrical Instructions

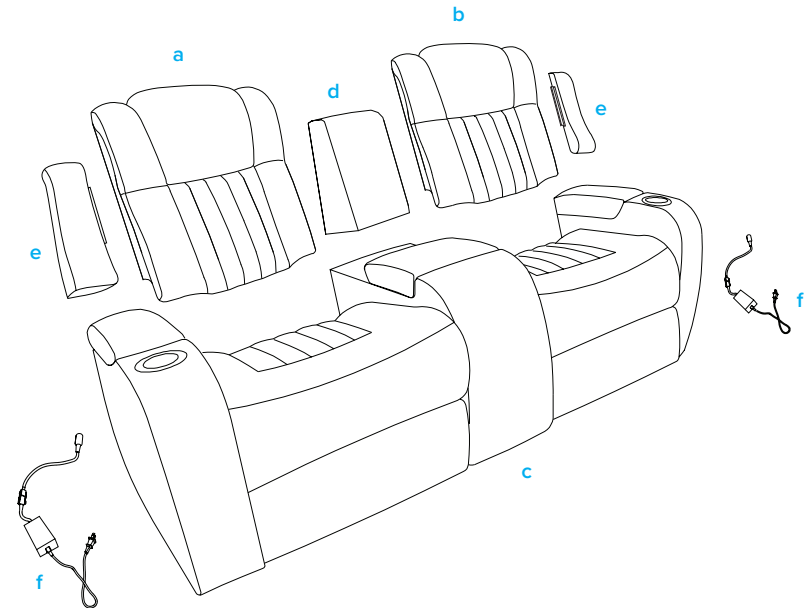
- Never force the back or footrest to close faster than the electric motor.
- Before commencing cleaning or maintenance, ensure this product is disconnected from the power outlet and the back is in the full upright position.
- Disconnect this product from the power outlet before moving.
- Cease operation and disconnect from the power outlet if you ever detect a burning odour or smoke coming from the product.
- Do not operate this product if liquid spillage occurs on or around it. Disconnect from the power outlet and allow product to completely dry before reconnecting.
- Do not operate the power functions or charge station with wet hands.
- Check the condition of the power cord, electrical cords, transformer, plug and connector on a monthly basis. Do not operate if wear is visible.
- Ensure the power cord, electrical cords and transformer are clear of moving parts and not trapped underneath the base.
- Position the power cord to minimise a tripping hazard.
- Never attempt to open or disassemble electrical components.
- We recommend the use of a surge protector (not included).

Synargy is a registered responsible supplier on ERAC. Electrical components within our products have been tested to comply with legal requirements imposed for electrical safety and EMC.

Included Components:

Part	Description
a	left side back cushion
b	right side back cushion
c	seat base

Part	Description
d	center console back
e	back rest wings (pair)
f	power supply x2

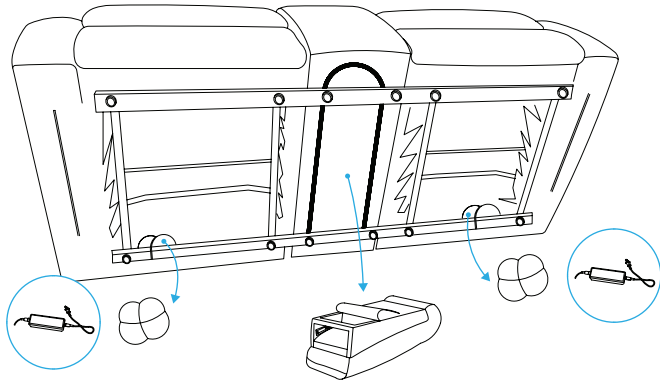


ASSEMBLY INSTRUCTIONS TITAN LOUNGE 2 SEATER

- ⓘ Make sure all plugs are connected on the product before plugging the power cords into a wall outlet - otherwise product damage may occur. The USB ports (where applicable) are designed with working voltage of 5V and can NOT be used to supply power for laptop computers (neither PC or Mac). Plugging a laptop computer to the USB port may end up damaging either the computer or the USB port due to unmatched working voltage.

Step 1

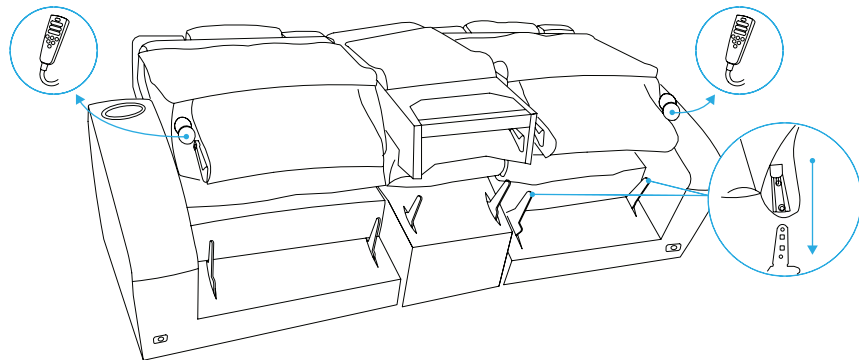
Remove the center console back (item D) from the zippered compartment on the underside of the lounge. On the underside of the sofa there are also two packages containing the power supplies - cut the ties to remove the packaging and set the power supplies aside.



Step 2

Identify the back rests for left hand and right hand sides, as well as the center console back - and place them facing down on the seat bases. The hand controller remote for each end seat is bundled into packaging attached to the seat backs. Remove packaging and set remotes aside carefully before proceeding.

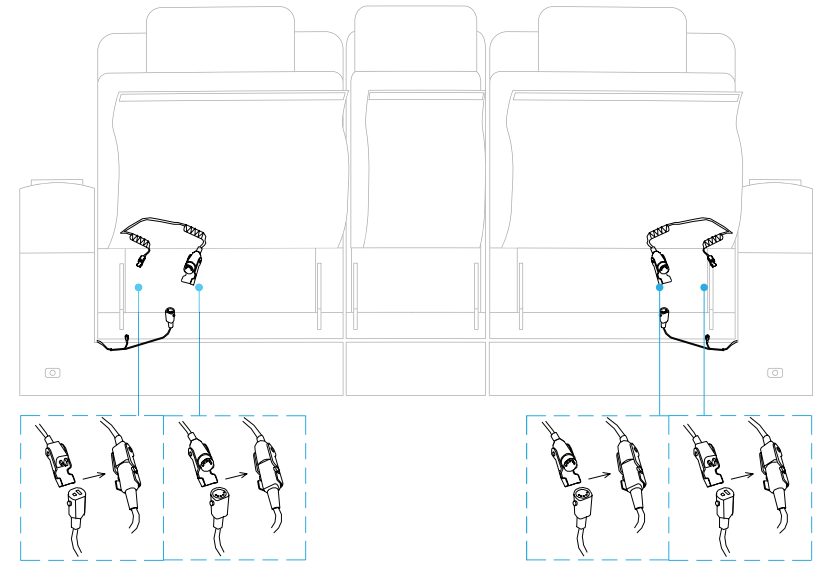
Lift each back rest individually to align the metal receivers with the metal posts of the chair base. Allow the posts to slide into the receivers and press down firmly on the top of the backrest until a click is heard on each side.



Scan QR code for a video of this step

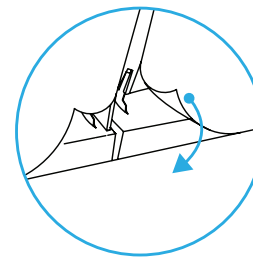
Step 3

Connect the electrical connections in the back of the lounge.



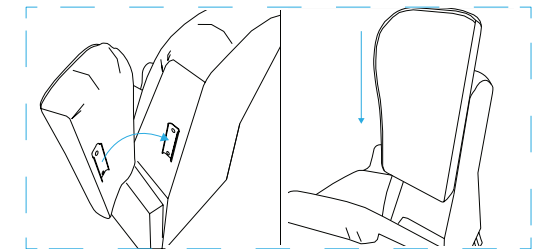
Step 4

Replace the fabric back covers and fasten with velcro on the underside of the seat base.



Step 5

Take the back rest wings (item e) and slide onto the sides of the left and right backrests using the interlocking brackets.

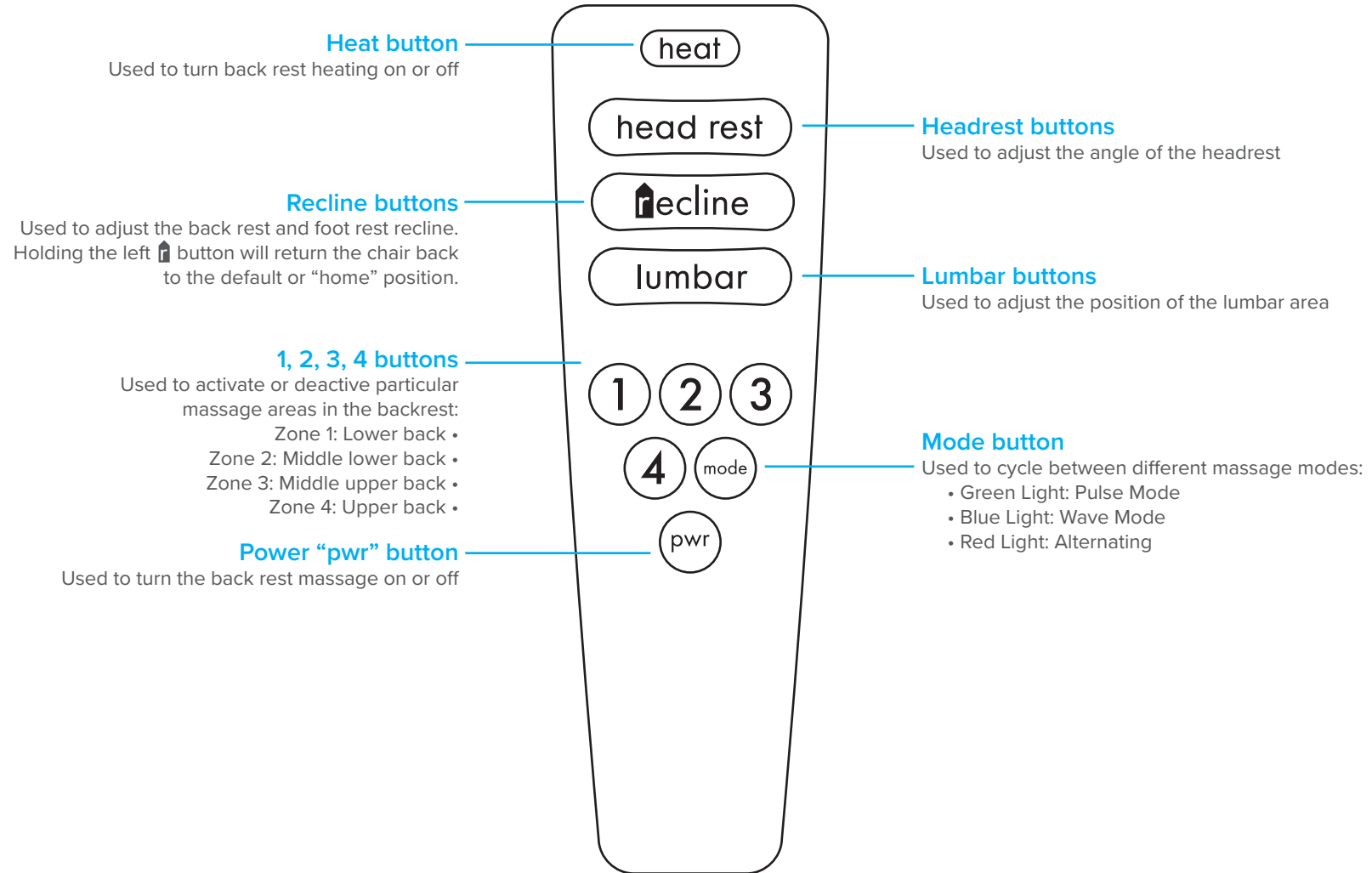


Step 6

Plug the power supplies into the outlets located at the bottom left and bottom right of the seat base, and plug into a wall outlet. Your suite assembly is now complete. Please ensure you have read the safety and electrical instructions before operating.

REMOTE CONTROL OPERATION INSTRUCTIONS

TITAN LOUNGE





Titan Recliner Chair with Air Massage

ⓘ The components are heavy, assembly should be performed by two people.

If you have any difficulty with assembly or operation, please contact the store of purchase in the first instance.

Please read the below safety & electrical instructions before operating

Safety Instructions

- This product is not intended for use by persons (including children) with reduced physical, sensory or mental capabilities, or lack of experience and knowledge, unless they have been given supervision or instruction concerning use of the product by a person responsible for their safety.
- Ensure there is no person, animal or item obstructing the area under the footrest before operating this product.
- Improper use or installation may result in the risk of fire, electric shock and/or injury. We assume no liability for any eventual damages caused by improper use or inappropriate handling, or by any other non-compliance with the instructions in this manual.
- Children should be supervised to ensure that they do not play with the product.
- This product contains moving parts. Keep fingers, hair and body parts well clear from moving parts. To reduce the risk of injury, keep children and pets clear of the product when in use.
- Do not sit or place additional weight on the arms, back or open footrest.
- This product is very heavy. Only move this product by lifting the main body. Never drag by the footrest, back or arm rest.
- Return this product to the full upright position to stand safely and prevent a tripping hazard.
- Do not operate this product if damage is visible in any form.
- Do not modify or use unauthorised substitute parts.
- This product has been designed and intended for indoor residential use only. It is not suitable for commercial or outdoor use.
- This product is not intended to be used as part of a health care plan. Consult your medical professional before operating if you are taking medication or have physical limitations.

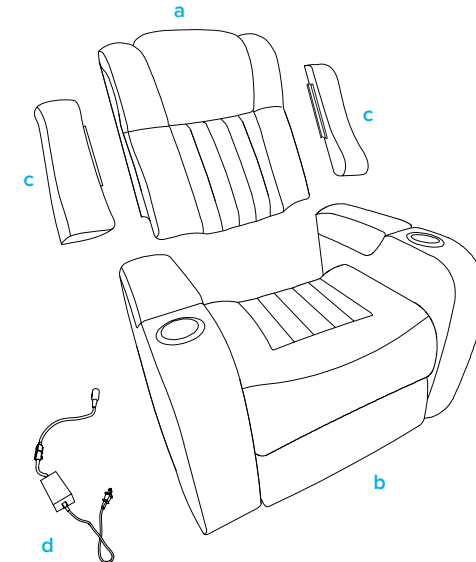
Electrical Instructions

- Never force the back or footrest to close faster than the electric motor.
- Before commencing cleaning or maintenance, ensure this product is disconnected from the power outlet and the back is in the full upright position.
- Disconnect this product from the power outlet before moving.
- Cease operation and disconnect from the power outlet if you ever detect a burning odour or smoke coming from the product.
- Do not operate this product if liquid spillage occurs on or around it. Disconnect from the power outlet and allow product to completely dry before reconnecting.
- Do not operate the power functions or charge station with wet hands.
- Check the condition of the power cord, electrical cords, transformer, plug and connector on a monthly basis. Do not operate if wear is visible.
- Ensure the power cord, electrical cords and transformer are clear of moving parts and not trapped underneath the base.
- Position the power cord to minimise a tripping hazard.
- Never attempt to open or disassemble electrical components.
- We recommend the use of a surge protector (not included).

Synargy is a registered responsible supplier on ERAC. Electrical components within our products have been tested to comply with legal requirements imposed for electrical safety and EMC.

Included Components:

Part	Description
a	back cushion
b	seat base
c	back rest wings (pair)
d	power supply



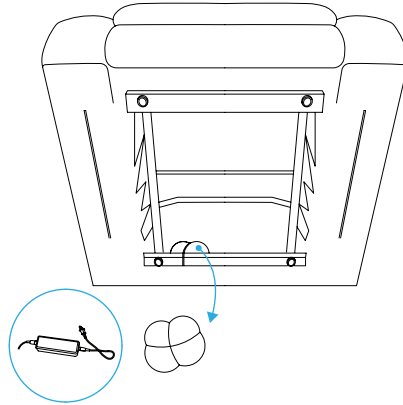
ASSEMBLY INSTRUCTIONS TITAN LOUNGE RECLINER

- ⓘ Make sure all plugs are connected on the product before plugging the power cords into a wall outlet - otherwise product damage may occur. The USB ports (where applicable) are designed with working voltage of 5V and can NOT be used to supply power for laptop computers (neither PC or Mac). Plugging a laptop computer to the USB port may end up damaging either the computer or the USB port due to unmatched working voltage.

Step 1

Remove all packaging and set aside in a safe location before disposal or recycling applicable materials.

On the underside of the recliner there is a package containing the power supply - cut the ties to remove the packaging and set the power supply aside.

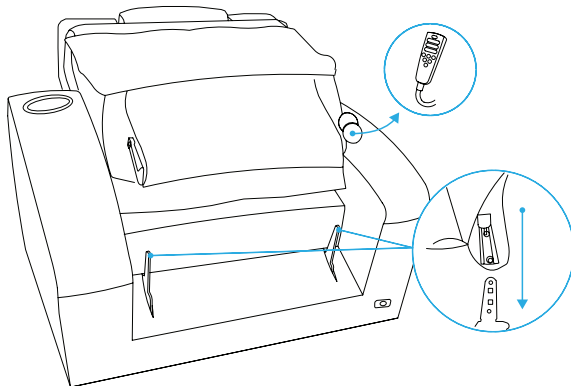


Step 2

Place the back rest facing down on the seat base. The hand controller remote is bundled into packaging attached to the seat back. Remove packaging and set remote aside carefully before proceeding.

Lift back rest to align the metal receivers with the metal posts of the chair base.

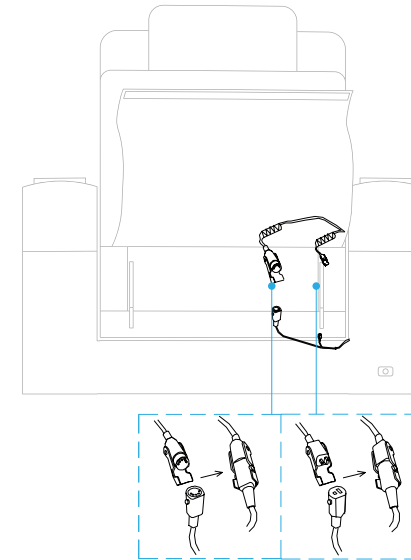
Allow the posts to slide into the receivers and press down firmly on the top of the backrest until a click is heard on each side.



Scan QR code for a video of this step

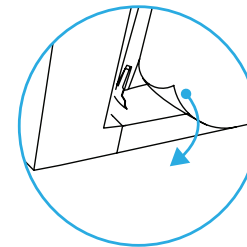
Step 3

Connect the electrical connections in the back of the seat.



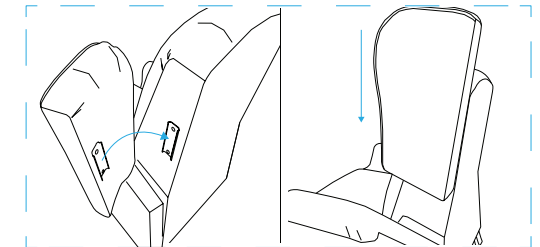
Step 4

Replace the fabric back covers and fasten with velcro on the underside of the seat base.



Step 5

Take the back rest wings (item c) and slide onto the sides of the backrest using the interlocking brackets.



Step 5

Plug the power supply into the outlets located at the bottom right of the seat base, and plug into a wall outlet. Your recliner assembly is now complete. Please ensure you have read the safety and electrical instructions before operating.

